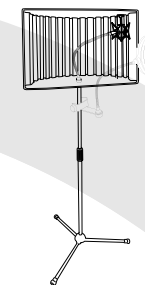


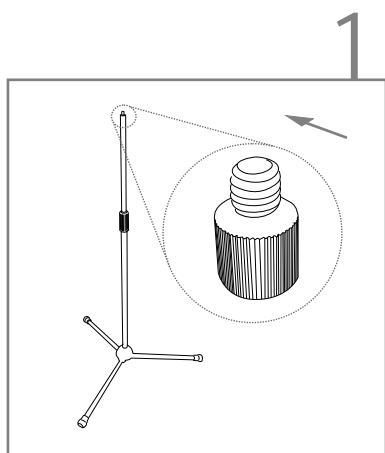


VMRFilter Set® Assembly Instructions

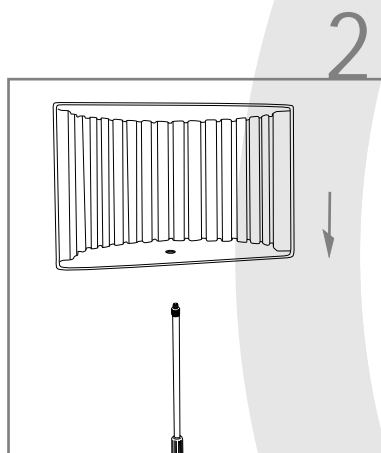


music accessories

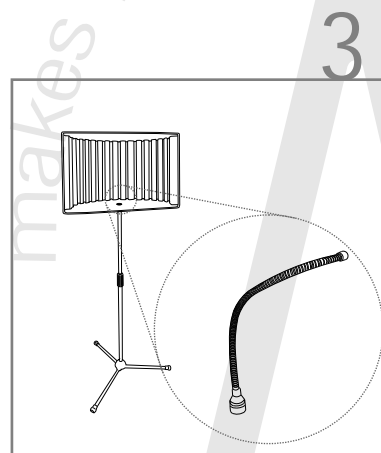
ATP® Studio Line



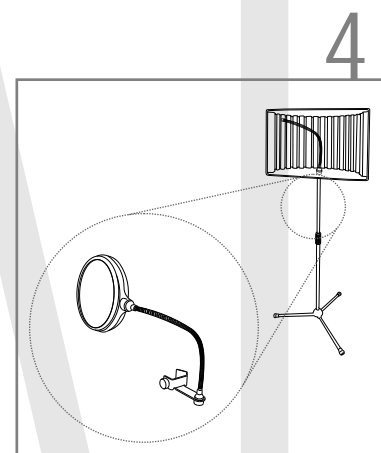
1
Start tightening the nut on the tripod.



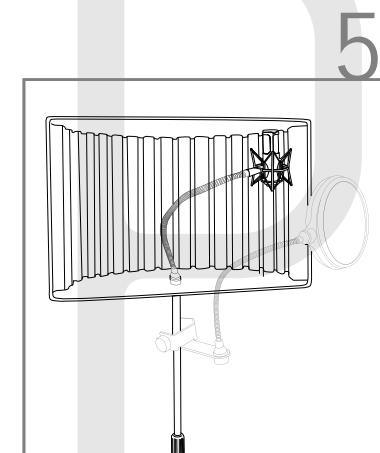
2
After, mount the VMRFilter® on the tripod.



3
Complete tighten the VMRFilter® with the gooseneck.



4
Then put the ATP® Pop Off® on the tripod.



5
Attach the microphone on the gooseneck and that's it.
You're ready to record!